

TP-10K-Sxx

Passive ambient temperature probes (flush-mounted) with NTC 10K - B3435

Description

The TP-10K-Sxx probes are passive ambient temperature probes that can be supplied for installation with a design coordinated with the main flush-mounted civil series (BTicino, Vimar, Gewiss, ABB etc.).

The sensing element is a NTC 10 K beta 3435 thermistor, 10K@25°C, with 2-pole terminal. They occupy one position inside the box. It can be used with the REG System connected to an analog input (REG-DIN-8, REG-EXP-8, REG-IOA, REG-IOB, REG-IOC).

Main features

Installation	box (503)	Temperature of use	-20...+55°C
Box modules	1	Storage and usage humidity	10...90% HR
Dimensions (WxHxD)	depends on series	Protection class IP	IP00
Storage temperature	-40...+85°C	Safety class	A

S 10k / B3435

°C	ohm	°C	ohm	°C	ohm	°C	ohm	°C	ohm	°C	ohm
-19	73120	-7	39819	5	22851	17	13729	29	8588	41	5569
-17	65816	-5	36174	7	20927	19	12662	31	7971	43	5197
-15	59338	-3	32909	9	19189	21	11692	33	7406	45	4855
-13	53583	-1	29981	11	17617	23	10807	35	6887	47	4539
-11	48461	1	27350	13	16193	25	10000	37	6410	49	4247
-9	43896	3	24983	15	14901	27	9263	39	5972	51	3977

Terms of Use

For safety reasons, the probe must be installed and used in accordance with the manufacturer's instructions. The probe must be adequately protected from water and dust. Have all installation and maintenance work carried out by qualified personnel.

Safety and maintenance information

If the probe is damaged when the box is opened or if liquid substances have penetrated inside, have it checked by an authorized service centre. Report any faults and/or anomalies immediately. Before carrying out installation, maintenance and repair work on the system, remember to switch off the power supply. Responsibility for installation, maintenance and repair work is in charge on the person or organisation carrying out the work. The manufacturer of the system in which the probe is installed is responsible for arranging the system parts adequately to avoid any possibility of the operator coming into contact with live utilities. It is the task of the manufacturer of the system on which the probe is installed: to evaluate the risks and potential dangerous situations, preparing any devices for the safety of the operator. All modifications and/or tampering of a hardware and/or software nature carried out on the probe shall void any responsibility of the manufacturer regarding the conformity "CE".

We decline all responsibility in the event that:

- the above-mentioned rules are not complied with;
- anomalies or damage to persons and / or things due to improper use of the product occur;
- anomalies or damage to persons and / or things occur due to improper use of the information contained in the manual;
- anomalies or damage to persons and / or things occur due to non-compliance with the rules and instructions indicated in this documentation.

Disposal regulations

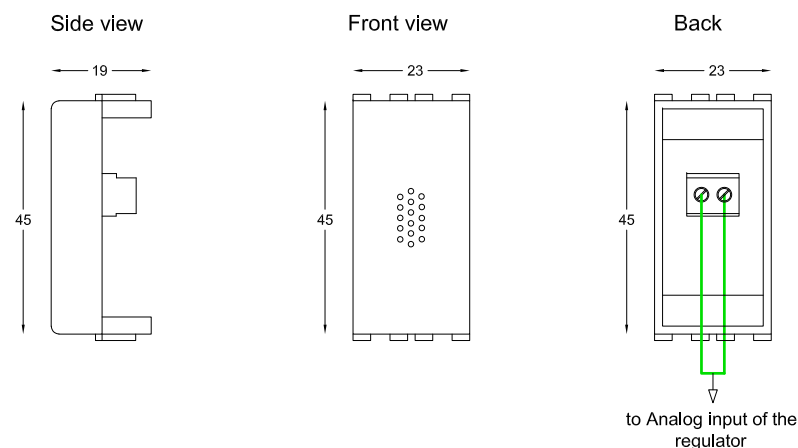


Disposal of electrical and electronic products at the end of the cycle of use

The symbol of the crossed-out bin above indicates that the product at the end of its useful life must be collected separately. Do not dispose of the device in household waste bins. Check local regulations for further information on product disposal.

Passive ambient temperature probes (flush-mounted) with NTC 10K - B3435

TP-10K-Sxx (generic series) - Dimensions (mm) and Electrical connection



TP-10K-S77 / TP-10K-S78 / TP-10K-S79 (BTicino Living Now series)

Dimensions (mm) and Electrical connection

